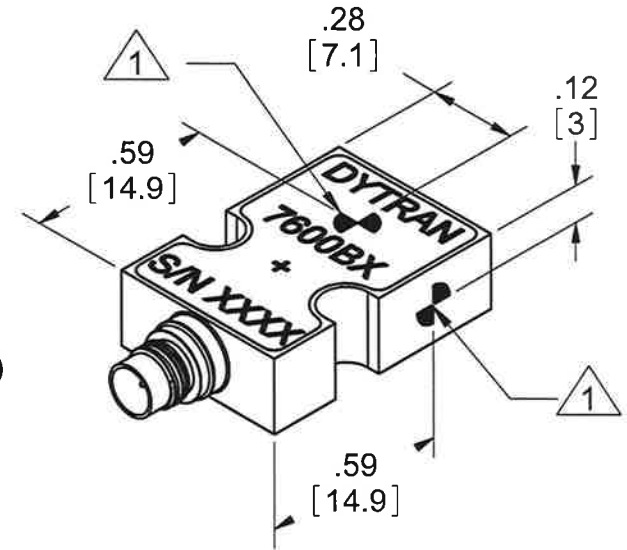
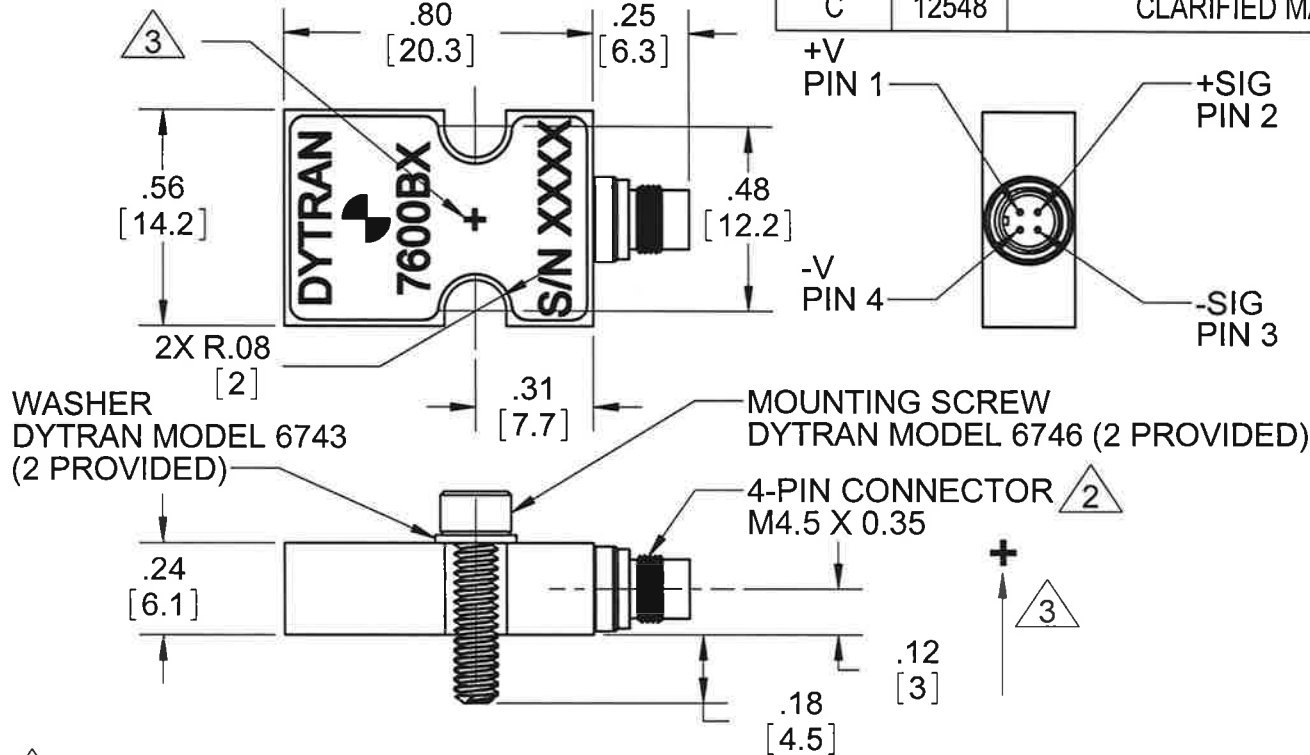


PROPRIETARY AND CONFIDENTIAL

THE INFORMATION CONTAINED IN THIS DRAWING IS THE SOLE PROPERTY OF DYTRAN INSTRUMENTS INC. ANY REPRODUCTION IN PART OR AS A WHOLE WITHOUT THE WRITTEN PERMISSION OF DYTRAN INSTRUMENTS INC. IS PROHIBITED

REVISIONS

REV	ECN	DESCRIPTION	BY/DATE	CHK	APPR
B	7348	SEE ECN	JS 01/25/11	EP	DV
C	12548	CLARIFIED MARKING	EM 03/17/16	RA	AS



MODEL	RANGE
7600B1	±5G
7600B2	±10G
7600B3	±25G
7600B4	±50G
7600B5	±100G
7600B6	±200G

- △ 3 ARROW & "+" INDICATES DIRECTION OF ACCELERATION FOR POSITIVE OUTPUT.
- △ 2 MATES WITH 6895AXX (XX= LENGTH IN FEET)
- △ 1 MARKING DENOTES LOCATION OF SENSING ELEMENT.

NOTES: UNLESS OTHERWISE SPECIFIED

7600BX	USED ON	NEXT ASSY
APPLICATION		
THIRD ANGLE PROJECTION USA		

UNLESS OTHERWISE SPECIFIED:
 INTERPRET DIM & TOL PER ASME Y14.5M - 1994.
 REMOVE BURRS.
 COUNTERSINK INTERNAL THDS 90° TO MAJOR DIA.
 CHAM EXT THDS 45° TO MINOR DIA.
 THD LENGTHS AND DEPTHS ARE FOR MIN FULL THDS.
 THDS PER MIL-S-7742.
 DIMENSIONS APPLY AFTER FINISHING.

UNLESS OTHERWISE SPECIFIED:
 DIMENSIONS ARE IN INCHES. DIMENSIONS IN BRACKETS [] ARE IN MILLIMETERS
 TOLERANCES ARE:
 INCHES METRIC ANGLES
 .XX ± .03 X ± 0.8 ± 1°
 .XXX ± 0.10 .XX ± 0.25

MATERIAL

FINISH

DO NOT SCALE DRAWING

ALL MACHINED SURFACES. TOTAL RUNOUT WITHIN .005. BREAK SHARP EDGES .005 TO .010. MACHINED FILLET RADII .005 TO .015. WELDING SYMBOLS PER AWS A2.4. ABBREVIATIONS PER MIL-STD-12.

CONTRACT NO.



TITLE: **OUTLINE/INSTALATION DRAWING, 7600B SERIES**

APPROVALS		DATE
ORIG	RA	10/07/09
CHK	EP	06/28/10
APP	DV	07/16/10
APP		

SIZE	CAGE CODE	DWG. NO.	REV
A	2W033	127-7600B	C
SCALE: 2:1		SOLIDWORKS	SHEET 1 OF 1

Model Number 7600B3	PERFORMANCE SPECIFICATION			DOC NO PS7600B3
	VARIABLE CAPACITANCE ACCELEROMETER			REV K, ECN 13957, 01/10/18



- POWER SUPPLY IDENTICAL TO STRAIN GAGE SENSORS
- VARIABLE CAPACITANCE ACCELEROMETER
- DIFFERENTIAL MODE
- HERMETICALLY SEALED
- DC RESPONSE

ENGLISH		SI	
PHYSICAL			
Weight, Max	0.1	oz	3.6
Size	.80 x .56 x .23	Inches	20.3 x 14.2 x 5.8
Connector	4-PIN, M4.5 x 0.35 THD		4-PIN, M4.5 x 0.35 THD
Mounting	4-40 X 7/16 LG SHCS		4-40 X 7/16 LG SHCS
Material	Ti-6Al-4V		Ti-6Al-4V
PERFORMANCE			
Input Range	±25	g	±245
Frequency Response (±3dB)	0-900	Hz	0-900
Resonant Frequency	>3000	Hz	>3000
Sensitivity Differential, ±5% [1]	20	mV/g	2.0
Output Noise, Differential, Typ	25	μ g rms/√ Hz	245
Non-Linearity, Max [2]	0.5	% F.S	0.5
Sensitivity Change with Excitation Voltage (6-22 Volts)	0.3	%	0.3
Cross Axis Sensitivity	< 3	%	< 3
Zero Measurand Output	±50	mV	±50
ENVIRONMENTAL			
Maximum Mechanical Shock (0.1 ms)	5000	gpk	±19620
Bias Temperature Shift, Max [3]	111	(ppm of span)/°F	200
Sensitivity Temperature Shift	277	ppm/°F	500
Operating Temperature Range	-40 to +248	°F	-40 to +120
Seal	Hermetic		Hermetic
ELECTRICAL			
Output Common Mode Voltage ± VDC	[4]		[4]
Output Impedence, Nom	1225	Ω	1225
Operating Voltage	±3 to ±11	VDC	±3 to ±11
Operating Current, Max	13	mA Dc	13
Change in Operating Current to Excitation Voltage	0.25	mAV	0.25

This family also includes:

Model	Input Range (g)	Frequency response (Hz)	Sensitivity Differential, ±5% (mV/g)	Max.Shock (0.1ms)	Noise Differential (μg/√Hz)
7600B1	±5	0-400	100	2000	12
7600B2	±10	0-600	50.0	5000	18
7600B4	±50	0-1200	10.0	5000	50
7600B5	±100	0-1400	5.0	5000	100
7600B6	±200	0-1750	2.5	5000	200

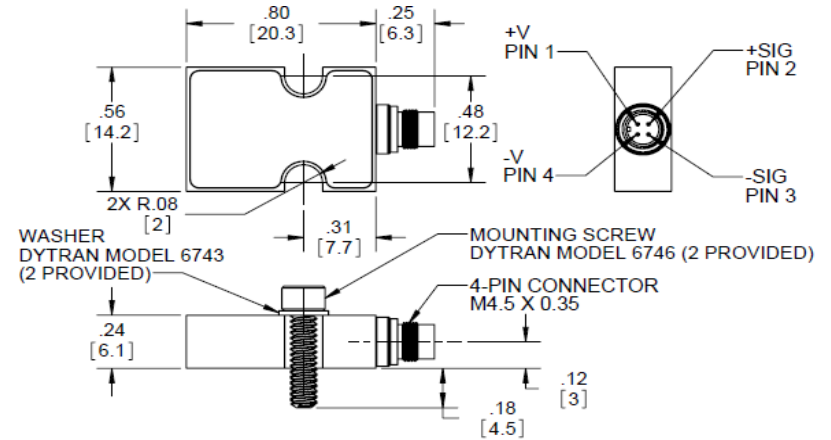
Please, refer to the performance specifications of the products in this family for detailed description

Supplied Accessories:

- 1) Accredited calibration certificate (ISO 17025)
- 2) Two mounting screws model # 6746
- 3) Two mounting washers model # 6743

Notes:

- [1] Single ended sensitivity is half of values shown
- [2] -90% to +90% of Full Scale
- [3] Over the rated temperature range
- [4] Bias voltage equal to (+ V - (-V)) / 2
- [5] Mating cable 6895A
- [6] In the interest of constant product improvement, we reserve the right to change specifications without notice.



Units on the line drawing are in inches. Refer to 127-7600B for more information.

